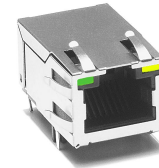


# 10/100 Base-Tx RJ45 (Tab Up)

# TJ2000

## Features:

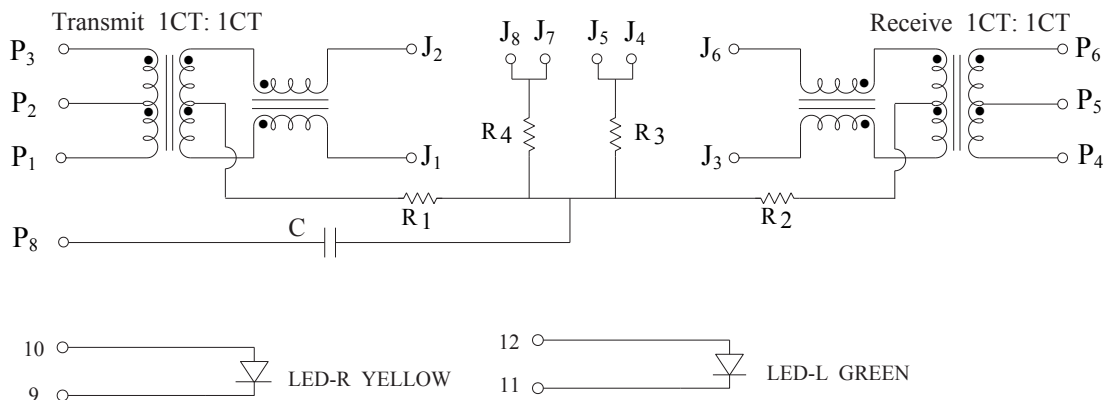
- ⊕ Complies with IEEE 802.3
- ⊕ Various turn ratios available
- ⊕ Isolation voltage of 1500Vrms
- ⊕ Different LEDs color options available
- ⊕ Contact: Phosphor Bronze, 6μ-inch gold flashed
- ⊕ Different metal shielding nickel plated options available
- ⊕ Housing: Thermoplastic PA66+30%GF UL94V0 rated
- ⊕ Operating temperature: 0°C to +70°C
- ⊕ Storage temperature: -40°C to +85°C



## Electrical Specifications@25°C

Insertion Loss dB Max	Return Loss dB Min				CMRR dB Min	Cross talk dB Min
	1~30MHz	30~45MHz	45~60MHz	60~80MHz		
1~100MHz	1~30MHz	30~45MHz	45~60MHz	60~80MHz	1~100MHz	1~100MHz
-1.0	-18	-16	-14	-12	-35	-35

## Schematic



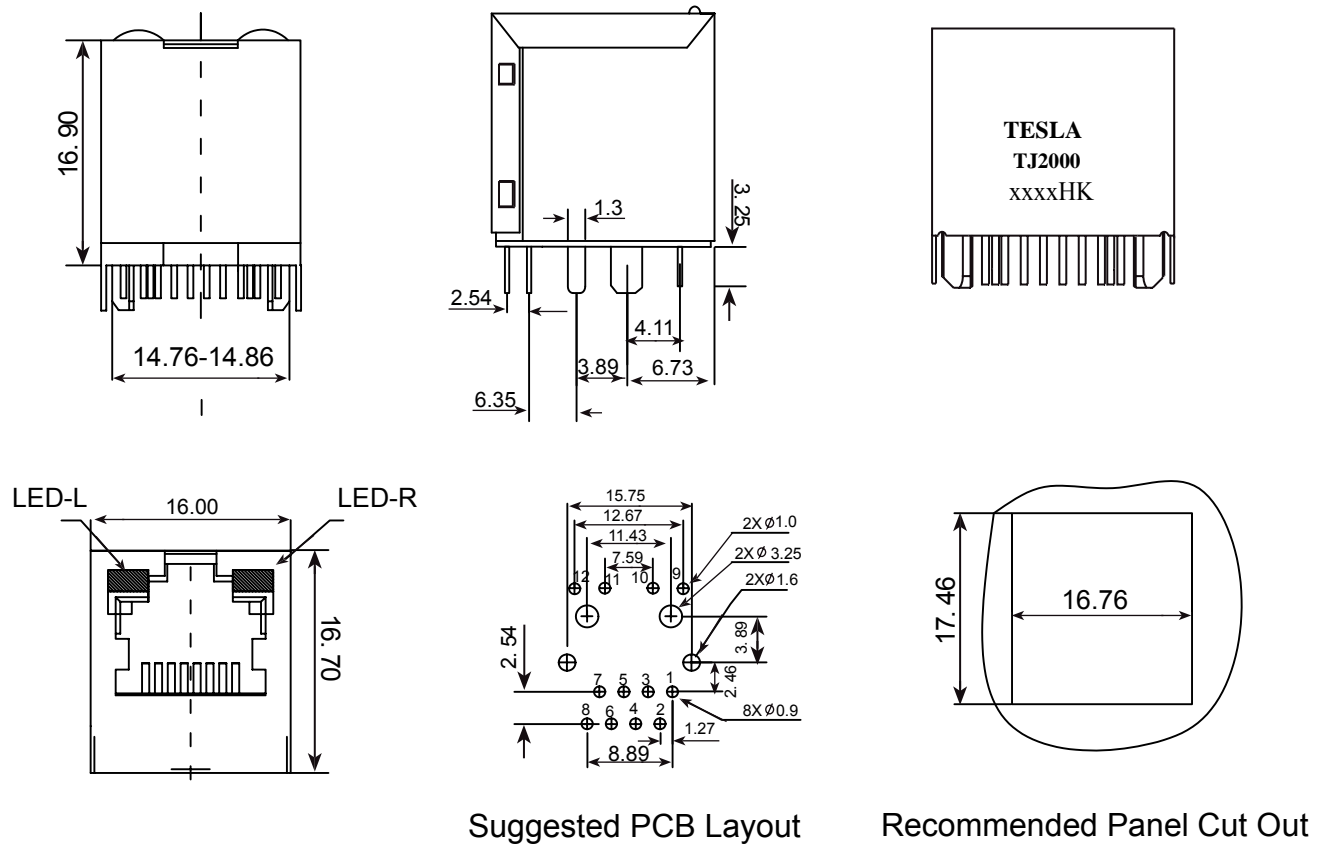
$$R_{1,2,3,4} = 75\Omega \pm 5\%$$

$$C = 1000\text{pF} \pm 20\%, 2\text{ kV}$$

# 10/100Base-TX RJ45 (Tab Up)

# TJ2000

## Mechanical



Unless otherwise specified dimensions are in (mm)

Tolerance: x: ±  
 xx: ± 0.38  
 xxx: ± 0.25